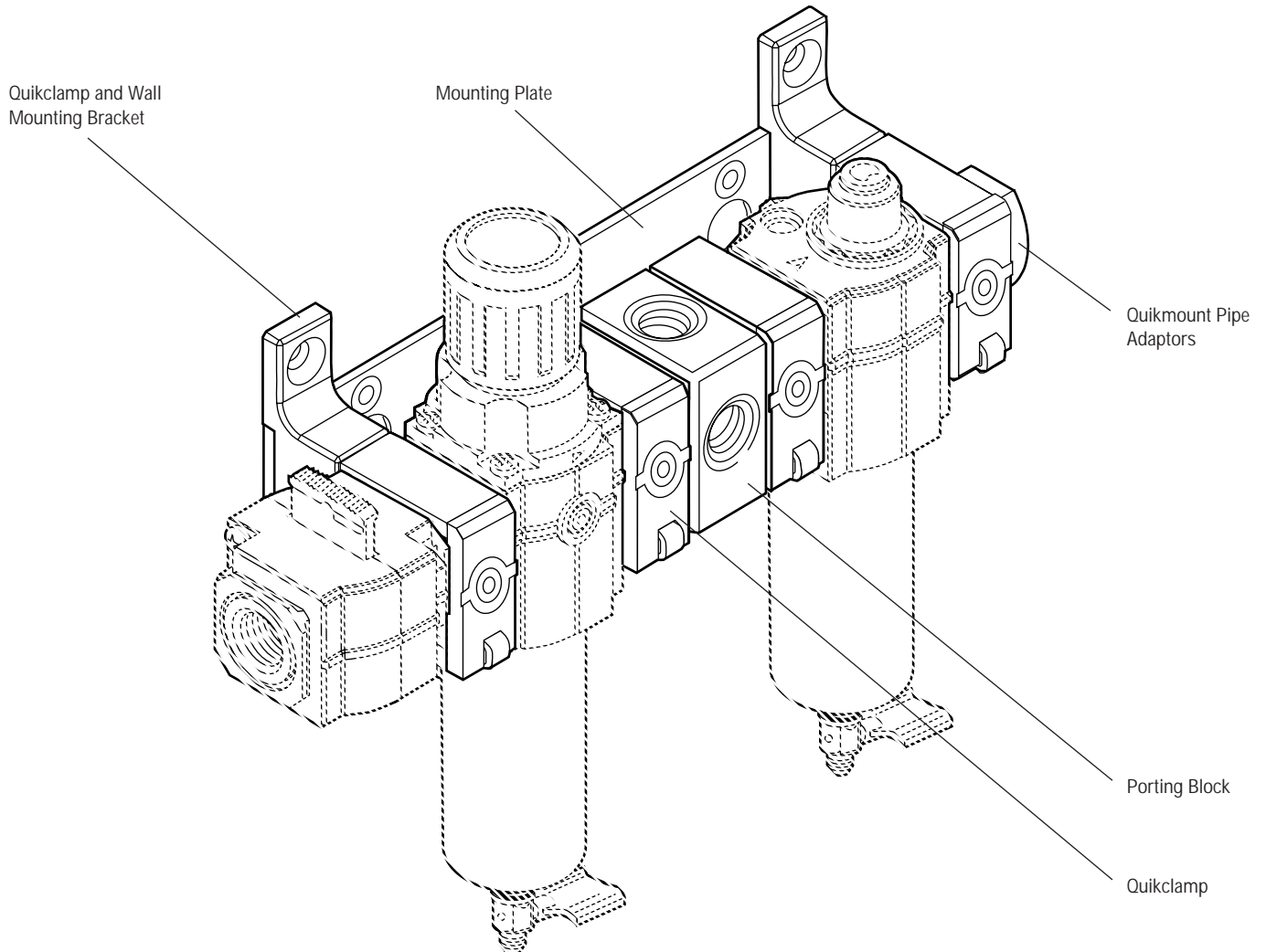


**EXCELON®72
System Accessories**

- **Combination Connectors**
- **Panel and Wall Mounting**
- **Pipe Adaptors, Porting Block, Manifold Block**
- **Pressure Switch**





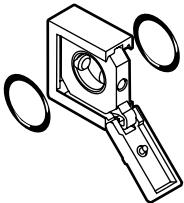
EXCELON 72 ACCESSORIES

Quikclamp

Maximum Pressure: 17 bar (250 psig)
Maximum Temperature: 65°C (150°F)

Use with all Excelon 72 Products to provide modular installation capability. Flanges on the products slide into V grooves in the Quikclamp. Two face-sealing o-rings in the Quikclamp provide a positive seal when the clamp is closed and the captive screw is tightened. Tighten screw with a 3 mm hex wrench or a T15 Torx wrench.

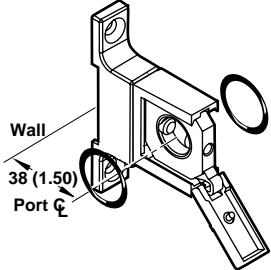
Quikclamp Service Kit (contains 2 Nitrile o-rings): 4384-570
A Quikclamp adds 6.5 mm (0.26") to the overall length of a combination unit.



Part Number: 4214-51

Quikclamp and Wall Mounting Bracket

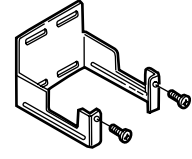
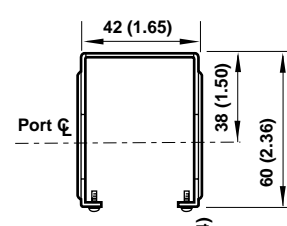
See Quikclamp paragraph for descriptions and dimensions. Use 5 mm (3/16") screws to mount bracket to wall.



Part Number 4214-52

Wall Mounting Bracket


For all individual Excelon 72 units.

Part Number: 4224-50

Plastic Panel Mounting Nut

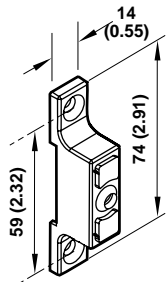
Use to panel mount R72 Regulators, B72 Filter/Regulators, and V72 Relief Valves.



Part Number: 4248-89

Quikclamp Wall Mounting Bracket

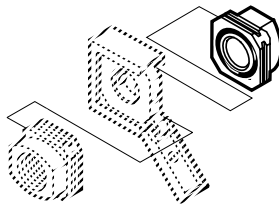
Use with the Quikclamp to provide secure mounting to a wall, machine panel or other flat surface. Use 5 mm (3/16") screws to mount bracket to wall.



Part Number 4213-89

Quikmount Pipe Adaptors

Use with the Quikclamp to provide threaded connections to the system piping.

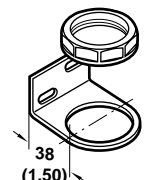


A pipe adaptor adds 16 mm (0.63") to the overall length of a combination unit.

Port Size and Thread	Part No. (Quantity of 1)
1/4" PTF	4215-02
3/8" PTF	4215-03
1/4" ISO R _C	4215-05
3/8" ISO R _C	4215-06
1/4" ISO G	4215-08
3/8" ISO G	4215-09

Neck Mounting Bracket

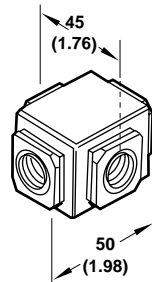
For R72 regulators, B72 filter/regulators and V72 relief valves



Part Number: 74316-50

Manifold Block

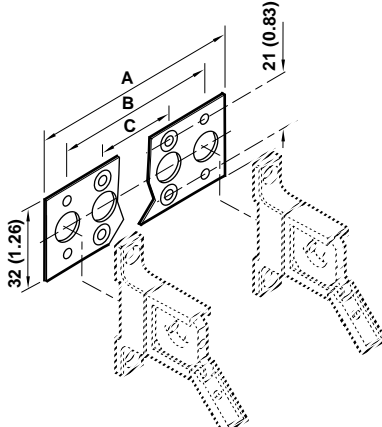
Installs with Quikclamps. Ports are threaded 3/8" pipe to provide manifolding capability for up to three components.



Side Port Threads	Part Number
3/8" PTF	4228-01
3/8" ISO R _C	4228-02
3/8" ISO G	4228-03

Mounting Plate Kit

Use with Quikclamp Wall Mounting Bracket to provide rigid mounting surface for up to four units and a porting block. Kit includes plate and four screws to mount two Quikclamp wall mounting brackets to the plate.

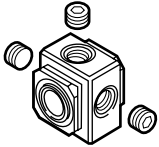
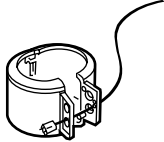
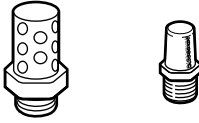
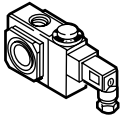
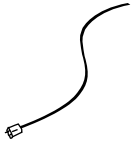

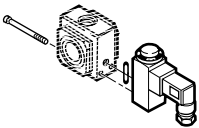


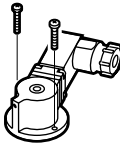



Part No.	No. of Units	Dimensions mm (inches)		
		A	B*	C**
4218-51	1	112 (4.40)	92 (3.62)	57 (2.24)
4218-52	2	167 (6.57)	149 (5.87)	114 (4.49)
4218-53	3	225 (8.86)	205 (8.07)	170 (6.69)
4218-54	4	282 (11.10)	262 (10.31)	227 (8.94)

* These holes can be used to attach plate to wall if a porting block is not used.
** These holes can be used to attach plate to wall if a porting block is used.

Distance from wall to centre line of ports is approximately 41 mm (1.63").
Use 5 mm (3/16") screws to mount the plate to the wall.



<p>Porting Block</p> <p>Installs between two Quikclamps to provide three additional 1/4" outlets for auxiliary air. A Porting Block adds 28,5 mm (1.13") to the overall length of a combination unit.</p>  <table border="0"> <tr> <td>Auxiliary Port Size & Thread</td> <td>Part Number</td> </tr> <tr> <td>1/4" NPT</td> <td>4216-50</td> </tr> <tr> <td>1/4" ISO Rc</td> <td>4216-51</td> </tr> <tr> <td>1/4" ISO G</td> <td>4216-52</td> </tr> </table>	Auxiliary Port Size & Thread	Part Number	1/4" NPT	4216-50	1/4" ISO Rc	4216-51	1/4" ISO G	4216-52	<p>Tamper Resistant Cover and Seal Wire</p> <p>Install on the adjusting knob of regulators, filter/regulators, and relief valves to help prevent unauthorised adjustment to the pressure setting. Cover can be locked in place with one or two customer supplied padlocks. Maximum diameter of the padlock shackle is 8 mm (5/16").</p>  <p>Part Number: 4255-51</p>	<p>Exhaust Port Silencer</p> <p>For Soft Start/Dump Valve (P72F) and Shut-Off Valve (T72T)</p>  <p>Part Number for P72F: MB002B Part Number for T72T: T40M0500</p>										
Auxiliary Port Size & Thread	Part Number																			
1/4" NPT	4216-50																			
1/4" ISO Rc	4216-51																			
1/4" ISO G	4216-52																			
<p>Sub-base Mounted Pressure Switch</p> <p>Monitors air pressure and provides an electrical output when the pressure drops below or exceeds an adjustable preset pressure. Installs between two Quikclamps. Also provides two additional 1/4" outlets for auxiliary air.</p> <p>Pressure: 17 bar (250 psig) Temperature: -10° to +65°C (14° to 150°F) Adjustable: 2 to 10 bar (30 to 150 psig). Shipped from factory preset at 6,3 bar (90 psig) Max. Voltage: 250 V a.c./d.c. Max. Current: 5 Amp Hysteresis at Midpoint: 12%</p> <p>A Sub-base Mounted Pressure Switch adds 29 mm (1.13") to the overall length of a combination unit.</p>  <table border="0"> <tr> <td>Auxiliary Port Threads</td> <td>Part Number</td> </tr> <tr> <td>1/4" PTF</td> <td>4246-50</td> </tr> <tr> <td>1/4" ISO Rc</td> <td>4246-51</td> </tr> <tr> <td>1/4" ISO G</td> <td>4246-52</td> </tr> </table>	Auxiliary Port Threads	Part Number	1/4" PTF	4246-50	1/4" ISO Rc	4246-51	1/4" ISO G	4246-52	<p>Seal Wire</p> <p>Use as a replacement wire for the preceding tamper resistant cover.</p>  <p>Part Number: 2117-01</p>	<p>Transition Connector</p> <p>Enables connection of Excelon 72 to 74 units. Typically this will allow F74C/H high grade coalescing filters to be flow matched with R72 regulators.</p>  <p>Part Number: 4417-01</p>										
Auxiliary Port Threads	Part Number																			
1/4" PTF	4246-50																			
1/4" ISO Rc	4246-51																			
1/4" ISO G	4246-52																			
<p>Replacement Pressure Switch</p> <p>Use only with pressure switch sub-base. Cannot be used with the standard porting block.</p>  <p>Part Number: 4246-01</p>	<p>Tamper Resistant Snap-On Cap</p> <p>Install on lubricator sight feed-dome to help prevent unauthorised adjustment to the pressure setting. Can not be used with the optional Pyrex/Aluminum sight-feed dome.</p>  <p>Part Number: 4050-89</p>	<p>Service Life Indicator Conversion Kits</p> <p>For F72G General Purpose and F72C Oil Removal Filters.</p>  <p>Part Number (visual): 5797-50</p>  <p>Part Number (electrical): 4020-51</p>																		
	<p>Pressure Gauges</p>  <table border="0"> <thead> <tr> <th>Back Connection</th> <th>Range bar (psig)</th> <th>Order Number</th> </tr> </thead> <tbody> <tr> <td>ISO R1/8</td> <td>4 (60)</td> <td>18-013-990</td> </tr> <tr> <td>ISO R1/8</td> <td>10 (150)</td> <td>18-013-989</td> </tr> <tr> <td>ISO R1/8</td> <td>25 (350)</td> <td>18-013-908</td> </tr> <tr> <td>1/8 PTF</td> <td>4 (60)</td> <td>18-013-211</td> </tr> <tr> <td>1/8 PTF</td> <td>10 (150)</td> <td>18-013-212</td> </tr> </tbody> </table>	Back Connection	Range bar (psig)	Order Number	ISO R1/8	4 (60)	18-013-990	ISO R1/8	10 (150)	18-013-989	ISO R1/8	25 (350)	18-013-908	1/8 PTF	4 (60)	18-013-211	1/8 PTF	10 (150)	18-013-212	
Back Connection	Range bar (psig)	Order Number																		
ISO R1/8	4 (60)	18-013-990																		
ISO R1/8	10 (150)	18-013-989																		
ISO R1/8	25 (350)	18-013-908																		
1/8 PTF	4 (60)	18-013-211																		
1/8 PTF	10 (150)	18-013-212																		



Warning

These products are intended for use in industrial compressed air systems only. Do not use these products where pressures and temperatures can exceed those listed under "Technical Data".

Before using these products with fluids other than those specified, for non-industrial applications, life-support systems, or other applications not within published specifications, consult NORGREN.

Through misuse, age, or malfunction, components used in fluid power systems can fail in various modes. The system designer is warned to consider the failure modes of all component parts used in fluid power systems and to provide adequate safeguards to prevent personal injury or damage to equipment in the event of such failure.

System designers must provide a warning to end users in the system instructional manual if protection against a failure mode cannot be adequately provided.

System designers and end users are cautioned to review specific warnings found in instruction sheets packed and shipped with these products.

Water vapor will pass through these units and will condense into liquid if air temperature drops in the downstream system. Install an air dryer if water condensation could have a detrimental effect on the application.