

**Olympian Plus
Coalescing Exhaust Silencers
3/4", 1", 1 1/4", 1 1/2" Port Sizes**

- Olympian plug in system
- Used with valve and cylinder systems to reduce noise levels and oil mist contamination of exhaust air
- Single or double units for high flow rates
- Flow in either direction

**Technical Data**

Fluid: Compressed air

Operating temperature*: -20° to +50°C (0° to +122°F)

* Air supply must be dry enough to avoid ice formation at temperatures below +2°C (+35°F).

Materials:

Body: Aluminium

Yoke: Aluminium

Cage: Aluminium

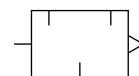
Bowl: Polypropylene

Element: Steel, synthetic foam, fiber

Elastomers: Nitrile

Ordering Information

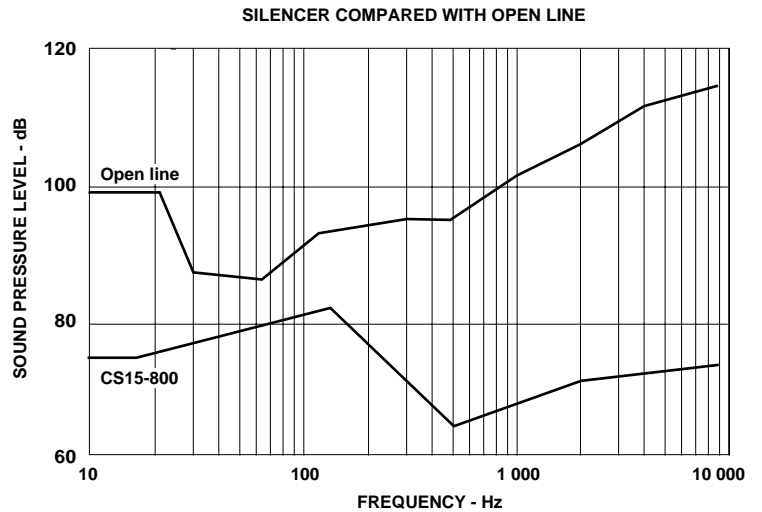
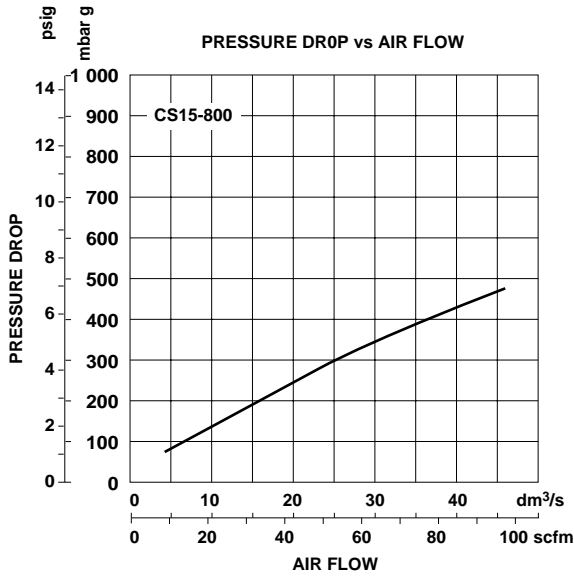
See *Ordering Information* on the following pages.

ISO Symbol

Automatic Drain



Typical Performance Characteristics



Ordering Information. Models listed include a yoke with ISO G threads.

Port Size	Single	Weight kg (lb)	Double	Weight kg (lb)
G3/4	CS15-600-10DD	2,34 (5.20)	CS15-600-20DD	4,26 (9.47)
G1	CS15-800-10DD	2,29 (5.09)	CS15-800-20DD	4,21 (9.36)
G1 1/4	-	-	CS15-A00-20DD	4,27 (9.49)
G1 1/2	-	-	CS15-B00-20DD	4,28 (9.51)

Alternative Models

C S 1 5 - ★ 0 0 - ★ 0 ★ ★

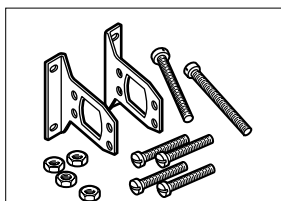
Port Size	Substitute
3/4"	6
1"	8
1 1/4"	A
1 1/2"	B
No yoke	0*

Option	Substitute
No Yoke	0 *
Single yoke	1
Double yoke	2

Port Options	Substitute
PTF threaded	A A
ISO G threaded	D D
ISO Rc threaded	B B
One port plugged (PTF)	A X
One port plugged (ISO G)	D X
One port plugged (ISO Rc)	B X
No yoke	0 0 *

* For replacement silencer without yoke, use 0 in 5th through 11th positions.

Accessories

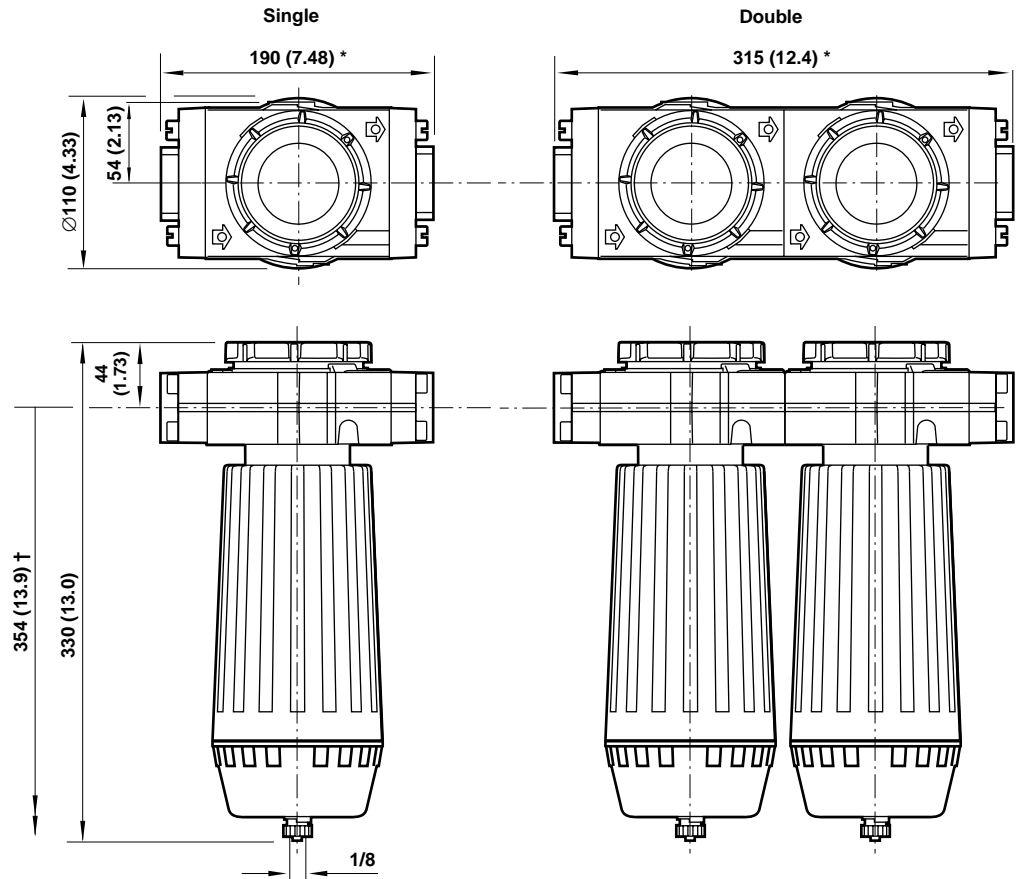


Wall Mounting Bracket

3/4" ported yoke:	18-001-979
1" ported yoke:	18-001-979
1 1/4" ported yoke:	18-001-978
1 1/2" ported yoke:	N/A



Dimensions mm (inches)



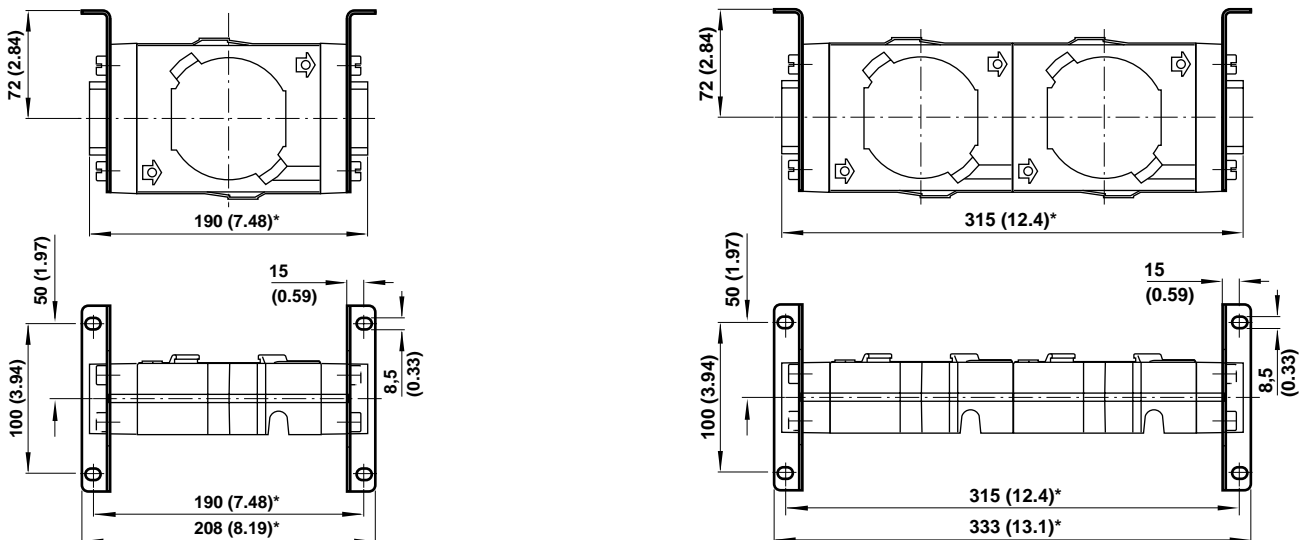
* Add 10 mm (0.39" for 1-1/4" and 1-1/2" models.
 † Minimum clearance required to remove bowl.

Bracket Kit Reference

Item	Type	Part Number
Wall Bracket	3/4" ported yoke	18-001-979
	1" ported yoke	18-001-979
	1 1/4" ported yoke	18-001-978
	1 1/2" ported yoke	N/A

Bracket Mounting

Use 4 mm (5/32") screws to mount bracket to wall.



* Add 10 mm (0.39") for 1 1/4" and 1 1/2" models.



Service Kits

Item	Part Number
Service kit	CS15RK
Replacement elements	3237-01

Service kit includes bowl, drain plug and drain retainer.

Warning

These products are intended for use in industrial compressed air systems only. Do not use these products where pressures and temperatures can exceed those listed under 'Technical Data'.

Before using these products with fluids other than those specified, for non-industrial applications, life-support systems, or other applications not within published specifications, consult NORGREN.

Through misuse, age, or malfunction, components used in fluid power systems can fail in various modes. The system designer is warned to consider the failure modes of all component parts used in fluid power systems and to provide adequate safeguards to prevent personal injury or damage to equipment in the event of such failure.

System designers must provide a warning to end users in the system instructional manual if protection against a failure mode cannot be adequately provided.

System designers and end users are cautioned to review specific warnings found in instruction sheets packed and shipped with these products.